



**TRENDIEST
FINEST PRODUCTS
INDUSTRIES LIMITED**



RC: 1427473

**TRENDIEST
FINEST PRODUCTS
INDUSTRIES LIMITED**



**COMPANY
PROFILE**

- MINING
- MINERAL EXPLORATION
- COAL &
OTHER MINERALS

-  Suite 013, Swift Plaza, Ishaq Dauda Mohammed Crescent, Wuye, Abuja.
-  08032167978, 08123345048
-  tfpindustriesltd@gmail.com
-  www.tfpindustriesltd.com



Table of Contents

1.	Introduction	
	<input type="checkbox"/> About us <input type="checkbox"/> Mission Statement <input type="checkbox"/> Vision Statement <input type="checkbox"/> Our Core Values	
2.	Our Operations	
	<input type="checkbox"/> Mining Products	
3.	Technological Advancements	
	<input type="checkbox"/> Modern Mining Equipment <input type="checkbox"/> Safety Measures <input type="checkbox"/> Sustainability Initiatives	
4.	Corporate Social Responsibility	
	<input type="checkbox"/> Community Engagement <input type="checkbox"/> Philanthropic Initiatives <input type="checkbox"/> Youth Empowerment & Capacity Development <input type="checkbox"/> Employee Welfare Programs	
5.	Clientele	
	<input type="checkbox"/> Major Clients	
6.	Partnerships and Collaborations	
	<input type="checkbox"/> Collaborative Projects	
7.	Contact Information	
8.	<input type="checkbox"/> Headquarters Address <input type="checkbox"/> Site Address <input type="checkbox"/> Phone Number <input type="checkbox"/> Email Address	
	Corporate Governance	
	<input type="checkbox"/> Directors' Profile	



INTRODUCTION



Trendiest Finest Products Industries Ltd is a premier mining company in Nigeria, we are specialized in the extraction of coal and other natural minerals. With a commitment to excellence, our company stands out as a leader in the mining industry, driven by our core values of safety, quality, and integrity. We are dedicated to sustainable development and innovation, ensuring that our operations not only meet the highest standards but also contribute positively to the communities in which we operate.

TFPLTD. Was established in 2017 with a rich history that dates back to 2014.

Since then, we have etched footprints of excellence, safety and sustainability which are at the core of our operations activities.

Our current production capacity ranges between 50,000 to 70,000 Metric tons of coal per month.

MISSION STATEMENT

To sustainably and responsibly extract and deliver high-quality coal and other mineral resources, contributing to the growth and development of the Nigerian economy.

VISION STATEMENT

To be the leading mining company in Nigeria, recognized for our innovation, sustainable practices and positive impact in the mining sector.



OUR CORE VALUES

SAFETY

At Trendiest Finest Products Industries Ltd, safety is our top priority. We are committed to creating a safe working environment for our employees and the communities around our mining sites. Through rigorous safety protocols and continuous training, we ensure that our operations are conducted with utmost care and responsibility.

QUALITY

We pride ourselves on delivering the highest quality mining products. Our commitment to quality is reflected in every aspect of our operations, from extraction to processing, ensuring that our clients receive products that meet and exceed industry standards.

INTEGRITY

Integrity is the foundation of our business. We conduct our operations with transparency, honesty, and a strong ethical commitment, ensuring that we build trust with our clients, employees, and stakeholders.

CLIENTELE

Our esteemed clients include some of the most prominent industrial players in Nigeria including:

- Dangote Group
- BUA Cement
- Unicane Industries
- Mangal Cement Ltd.

These partnerships underscore our commitment to delivering top-quality products and services that meet the diverse needs of our clients.

CORPORATE GOVERNANCE

Trendiest Finest Products Industries Ltd adheres to the highest standards of corporate governance, ensuring that our operations are conducted with transparency, accountability, and ethical responsibility.

OUR CORPORATE GOVERNANCE FRAMEWORK INCLUDES:

- **Ethics and Compliance:** We have a robust code of conduct that guides our business practices, ensuring that all employees and stakeholders adhere to ethical standards.
- **Board Oversight:** Our Board of Directors provides strategic oversight, ensuring that our operations align with our mission, vision, and values.
- **Risk Management:** We have a comprehensive risk management strategy that identifies, assesses, and mitigates potential risks to our business, ensuring long-term sustainability.

Mining Products

Our primary products include:

1. Coal: We extract high-quality coal used in various industries, including power generation, cement production, and steel manufacturing.
2. Other Minerals: In addition to coal, we are involved in the extraction of other minerals critical to the industrial and manufacturing sectors.



Administrative Office

Our administrative headquarters is strategically located at Suite 013 Swift Plaza, Ishaq Dauda Crescent, Wuye, Abuja. This location serves as the central hub for our corporate operations, facilitating efficient communication and coordination across our various mining sites.

Site Activities

Trendiest Finest Products Industries Ltd operates mining sites across various locations in Nigeria, including but not limited to:

- Kogi State: Coal and limestone mining
- Nasarawa State: Solid minerals mining
- Enugu State: Coal mining

Our operations are supported by advanced technological equipment and state-of-the-art machinery, which enhances productivity and ensures minimal environmental impact. Our commitment to technological advancement is evident in our continuous investment in modern mining technologies, which help us maintain a competitive edge in the industry.



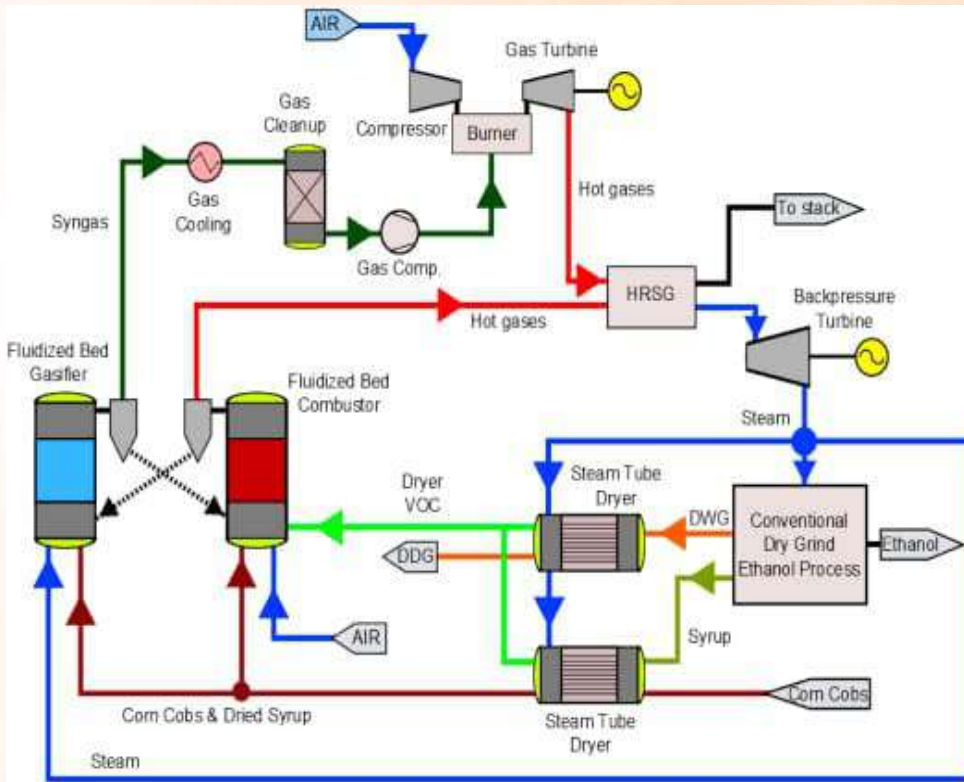


Technological Advancements

We have embraced cutting-edge technology in our mining operations, employing state-of-the-art equipment that ensures efficient extraction, processing, and transportation of our mineral resources. Our use of modern machinery reduces operational risks, increases safety, and optimizes productivity, ensuring that we meet the demands of our clientele effectively.



PROPOSED SUBSIDIARY: CASSAVA TO ETHANOL PLANT



We are in the process of establishing a cassava-to-ethanol plant in Kogi State. This subsidiary aims to diversify our product offerings and contribute to the development of renewable energy sources in Nigeria. The plant will produce ethanol for use in biofuel and

other industrial applications, aligning with our commitment to sustainability and innovation.





OUR CORPORATE SOCIAL RESPONSIBILITY



Corporate Social Responsibility (CSR)

At Trendiest Finest Products Industries Ltd, we believe in giving back to the communities where we operate. Our CSR initiatives include:

1. **Capacity Development for Youths:** We offer vocational training and educational programs to equip youths in our host communities with skills that enhance their employability and entrepreneurial potential.
2. **Employment Opportunities:** We prioritize hiring from within our host communities, providing job opportunities that contribute to local economic growth and improved livelihood.
3. **Community Infrastructure Development:** We invest in the development of local infrastructure, including schools, healthcare facilities, and roads, to improve the quality of life in our host communities.
4. **Environmental Stewardship:** We are committed to sustainable mining practices that minimize environmental impact, including land reclamation and reforestation projects.
5. **Philanthropy:** We actively support charitable initiatives in our host communities, including funding scholarships for underprivileged students, providing medical supplies to local health centers, and supporting disaster relief efforts. Our philanthropic efforts are specifically aimed at fostering community resilience and improving the overall well-being of the people we serve.



MANAGEMENT TEAM



AGOBIE UGBEDE PETER
Managing Director/CEO



ATABO CHRISTIAN
Operation Manager



EBENEZER OKEDI ONOJA
Administration Manager



KAJENA COLLINS MOSES
Geologist



DALANDI MAFWALAL
Head Fin/Admin



Director's Profile

AGOBIE UGBEDE PETER (MD/CEO)



Agobie Ugbede Peter is a seasoned biochemist with over 15 years of experience in the mining and industrial sector. He holds a Bachelor's degree in Biochemistry and has undergone extensive training in industrial chemistry and environmental management. Mr. Peter has played pivotal roles in integrating sustainable practices into mining operations, ensuring that our processes are not only efficient but also environmentally responsible. His leadership has been instrumental in driving the company's commitment to innovation, safety, and community development.

As the CEO of Trendiest Finest Products Industries Ltd, Mr. Peter has been instrumental in integrating advanced biochemistry techniques into mining operations, particularly in the areas of mineral processing and environmental conservation. His innovative approach has led to the development of cleaner, more efficient mining methods that reduce environmental impact while maximizing resource extraction.

Under his leadership, the company has adopted cutting-edge technologies that have not only enhanced operational efficiency but also ensured compliance with environmental regulations. Mr. Peter is particularly passionate about environmental stewardship, and he has championed several initiatives aimed at reducing the company's carbon footprint, including the introduction of green technologies and the implementation of comprehensive waste management systems.

In addition to his technical expertise, Agobie Ugbede Peter is known for his strong leadership skills and commitment to corporate social responsibility (CSR). He has played a key role in expanding the company's CSR initiatives, particularly in the areas of youth capacity development, employment opportunities, and community philanthropy. His efforts have helped to foster stronger relationships with host communities, ensuring that the company's operations contribute to local development and economic empowerment.

Mr. Peter is also at the forefront of the company's proposed subsidiary project—a cassava-to-ethanol plant in Kogi State. This project reflects his forward-thinking approach to renewable energy and his commitment to diversifying the company's product offerings in a way that aligns with global standards.



EXPLORATION ACTIVITIES



REG. 142743
TRENDIEST
FINEST PRODUCTS
INDUSTRIES LIMITED

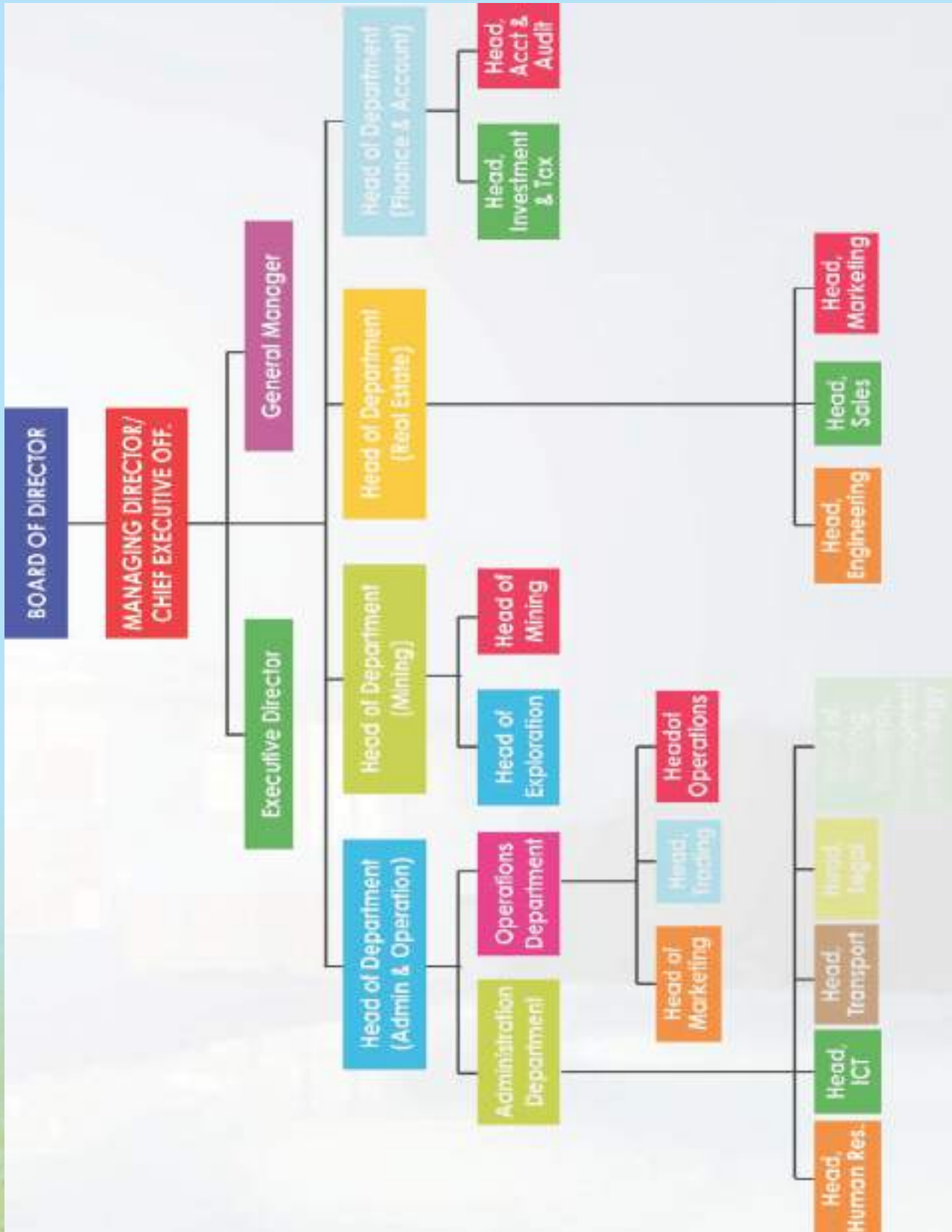


OUR COMMITMENT TO SAFETY

Safety is at the core of our operations. We have implemented rigorous safety protocols that provides continuous training for our employees to ensure that our work environment is free from hazards. This extends to the protection of our human and material resources.



OUR ORGANOGRAM



ectors



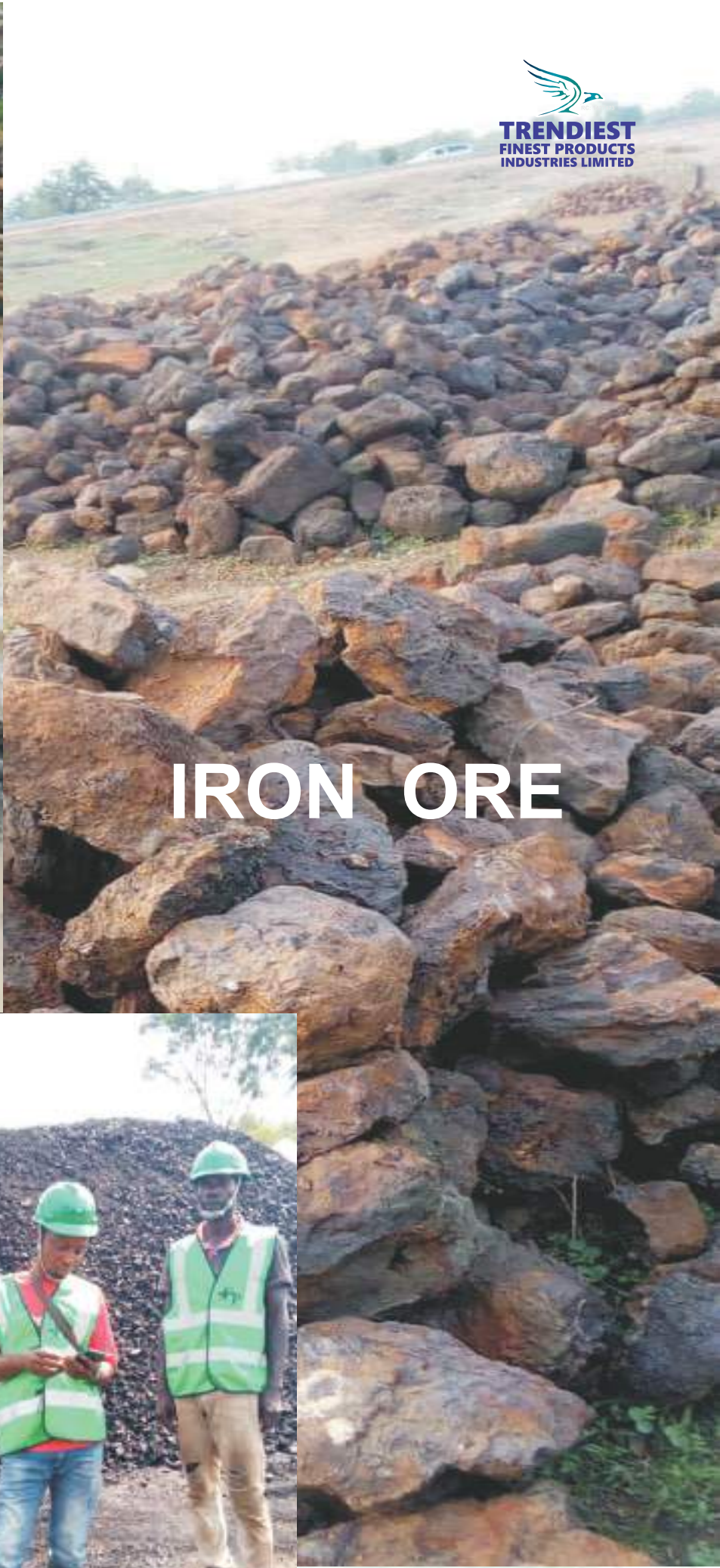






TRENDIEST
FINEST PRODUCTS
INDUSTRIES LIMITED





IRON ORE





OUR CERTIFICATION



TRENDIEST
FINEST PRODUCTS
INDUSTRIES LIMITED

RC 1427473



**CORPORATE AFFAIRS COMMISSION
FEDERAL REPUBLIC OF NIGERIA**

Certificate of Incorporation

I hereby certify that

TRENDIEST FINEST PRODUCTS INDUSTRIES LTD

*is this day incorporated under the COMPANIES AND ALLIED
MATTERS ACT 1990 and that the Company is Limited By Shares.*

Given under my hand at Abuja this 31st day of July, 2017.

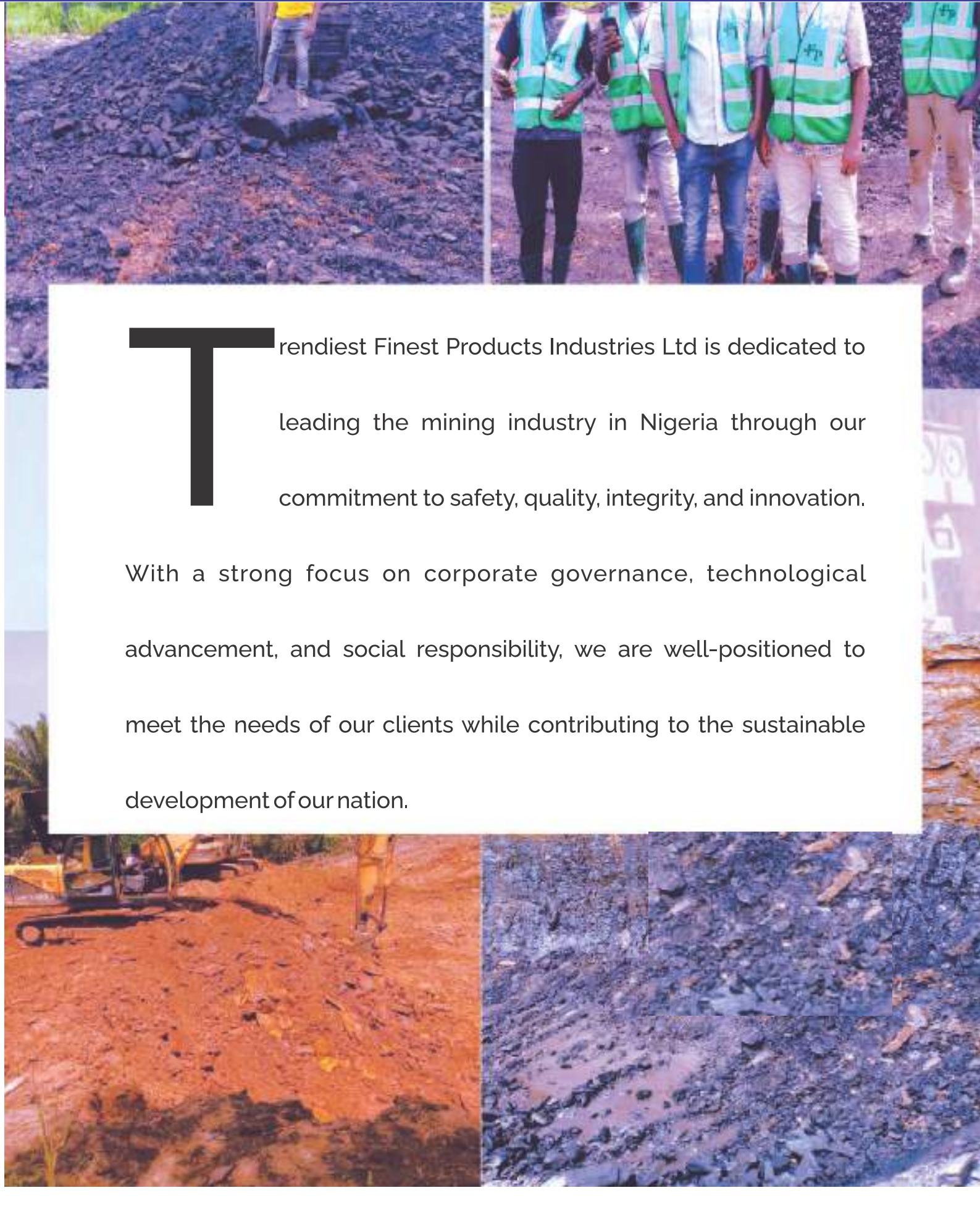


BELLO MAHMUD

Registrar - General

1033550

Conclusion



Trendiest Finest Products Industries Ltd is dedicated to leading the mining industry in Nigeria through our commitment to safety, quality, integrity, and innovation.

With a strong focus on corporate governance, technological advancement, and social responsibility, we are well-positioned to meet the needs of our clients while contributing to the sustainable development of our nation.